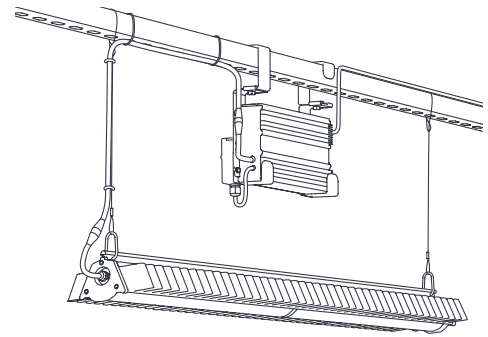


Arize Element™ Top Light

Horticulture LED Lighting System

Alternate UL Light Module Installation Guide



BEFORE YOU BEGIN / AVANT DE COMMENCER

Read these instructions completely and carefully. For Commercial or Industrial use only. Lisez attentivement ces instructions dans leur intégralité, en conjonction avec le guide d'installation de la trousse de base. Pour utilisation commerciale ou industrielle seulement.

⚠ WARNING / AVERTISSEMENT

RISK OF ELECTRIC SHOCK

- Turn power off before installation, inspection, cleaning or removal. And follow appropriate lock out/tag out safety procedure.
- Follow all National Electric Codes (NEC) and local codes.
- The installation and associated structures are subject to approval by the authority having jurisdiction.
- Use only with components identified in this document.
- Suitable for dry, damp, and wet locations; Do not immerse any component.
- Wear suitable Personal Protective Equipment (PPE) during installation/maintenance. Highly recommend safety glasses, helmet and leather glove for luminaire mounting.
- Light module designed for greenhouse only.

RISK OF ELECTRIC SHOCK

- All cables including connectors shall not be concealed or extended through a wall, floor, ceiling, or other parts of the building structure; located above a suspended ceiling or dropped ceiling; permanently affixed to the building structure.
- Cables shall be routed so that they are not subject to strain and are protected from physical damage; visible over their entire length; and used within their rated ampacity as determined for the maximum temperature of the installed environment specified in the instructions.

RISQUE DE CHOC ELECTRIQUE

- Coupez l'alimentation avant l'inspection, l'installation ou la désinstallation.
- Suivre tous les codes électriques locaux applicables.
- L'installation et les structures associées sont soumises à l'approbation des autorités compétentes.
- Utilisez uniquement avec les composants identifiés dans ce document.
- Convient aux endroits secs, humides et mouillés. Ne doit pas être immergé.
- Portez les équipements de protection individuelle appropriés pendant l'installation et la maintenance. L'utilisation de lunettes de sécurité, d'un casque et des gants de cuir pour le montage du luminaire est fortement recommandée.
- Luminaire conçu pour serres seulement.

RISQUE D'INCENDIE.

- Les câbles et connecteurs ne doivent pas être dissimulés à l'intérieur, ou passer à travers, d'un mur, d'un plancher, d'un plafond ou de toute autre partie de la structure du bâtiment; ne doivent pas être placés au-dessus d'un plafond suspendu; ne doivent pas faire partie intégrante de la structure du bâtiment.
- Les câbles doivent être installés de façon à être protégés contre l'étiement et tout autre bris physique; visibles sur toute leur longueur; utilisés dans la limite de leur courant admissible, déterminée pour les limites de température de l'environnement spécifiées dans le guide d'instruction.

⚠ ATTENTION / ATTENTION

- Installer is responsible for suspension cable assembly.
- L'installateur est responsable de l'assemblage du câble de suspension.



Electrical products must not be thrown out with domestic waste. They must be taken to a communal collecting point for environmentally friendly disposal in accordance with local regulations. Contact your local authorities or stockist for advice on recycling. The packaging material is recyclable. Dispose of the packaging in an environmentally friendly manner and make it available for the recyclable material collection-service.



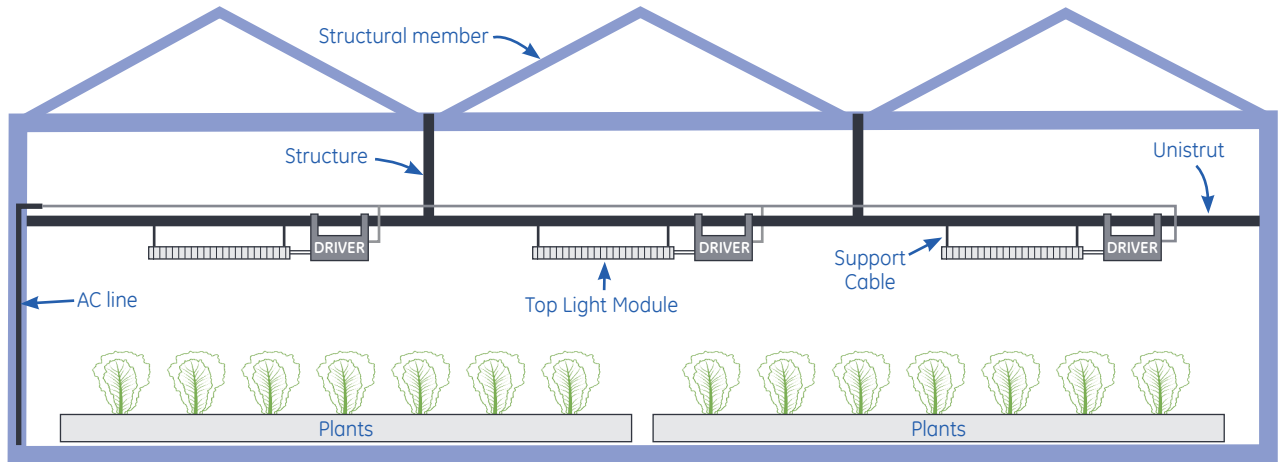
Visit LED.com
Call us today! 1-888-MY-GE-LED
Email us: horticulture.info@ge.com

current
powered by GE

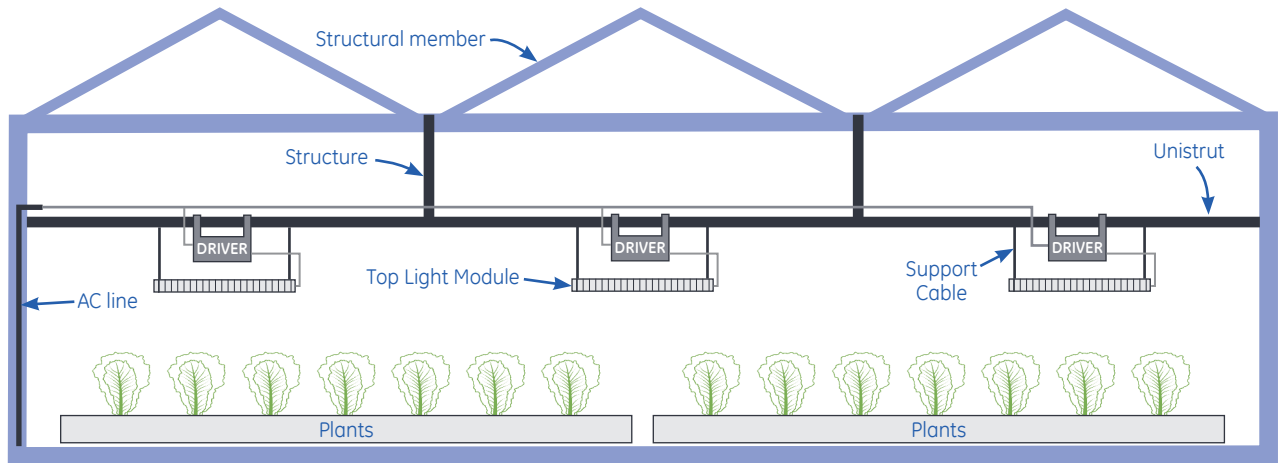


This installation guide shows alternate light module install options:

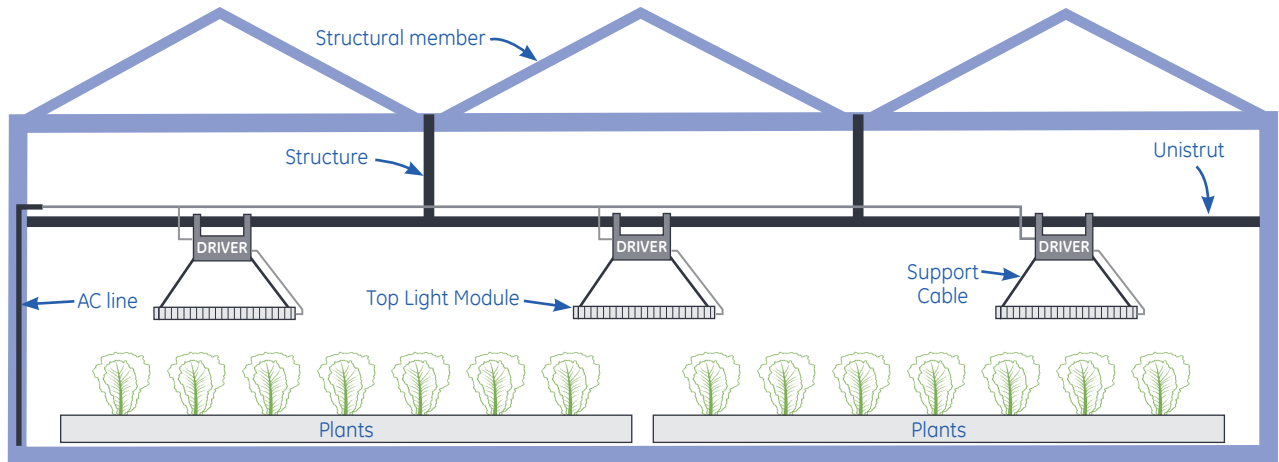
Base Install—See base guide for installation steps.



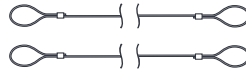
OPTION A Over-Under Installation—See Page 3 for installation steps.



OPTION B Triangular Installation—See Page 4 for installation steps.



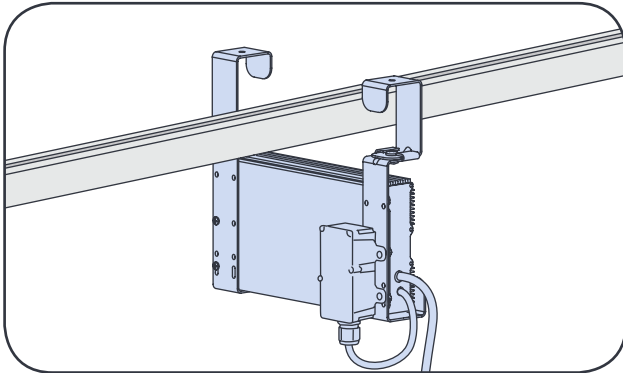
Accessory Options



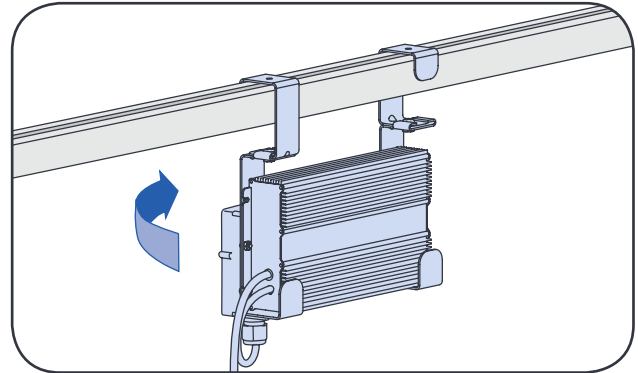
SKU

GEHAK-NN-EB-N0	3 ft UL Inter-connection	2 ft Support cable	Tie wraps	Carabiners
GEHAK-NN-AC-N0	6 ft UL Inter-connection	5 ft Support cable	Tie wraps	Carabiners
GEHAK-NN-BD-N0	12 ft UL Inter-connection	10 ft Support cable	Tie wraps	Carabiners

Hanging the Driver



- 1 Lift driver so that the structural member is between the brackets.

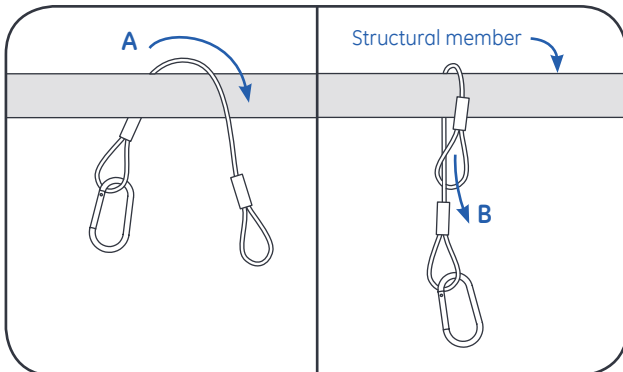


- 2 Rotate driver so that the brackets can engage with the structural member. Lower driver into position.

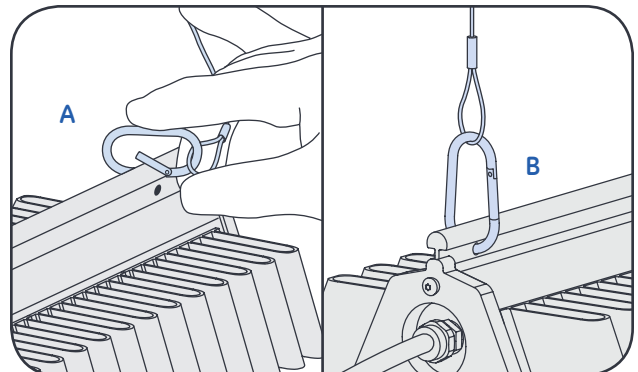
NOTE: The base driver mounting kit is for a 1 5/8" square structural member. For other structural members, see accessories or contact your account manager.

Hanging the Light Module

OPTION A Over-under Installation



- 3 Install the support cables
 - A) At first end of light module, wrap 2 ft, 5 ft or 10 ft support cable around structural member.
 - B) Pass carabiner through support cable loop to create a noose.
 Repeat with second support cable at other end of light module.

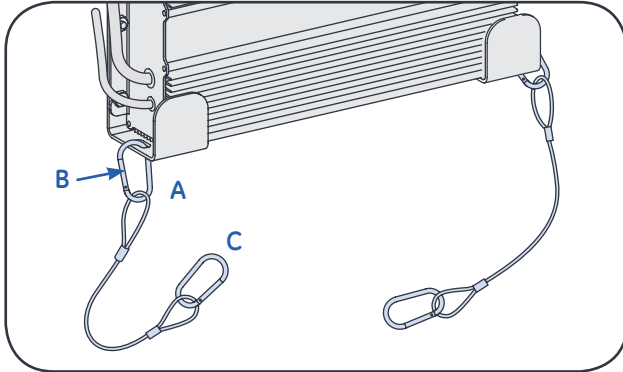


- 4 Install the light module
 - A) Attach first carabiner to the 1/4" round hole on one side of the light module. Repeat on other side of light module.
 - B) Ensure both carabiners are through the hole and both gates are closed.

NOTE: Ensure greenhouse structures and members are rated for loads created by light modules and drivers.

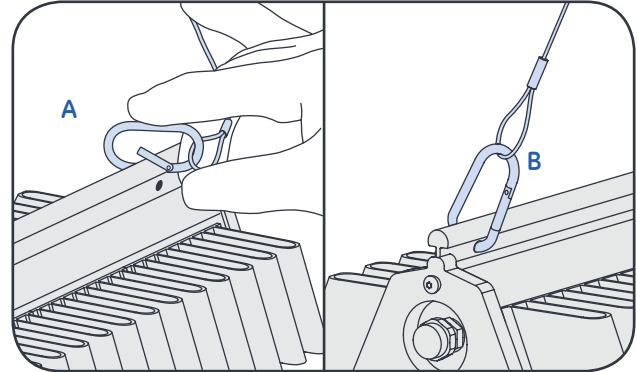
Hanging the Light Module

OPTION B Triangular Installation



3 Install the support cables

- A) Attach one carabiner on the 2 ft, 5 ft or 10 ft support cable to the base of the driver.
 - B) Remove carabiner from base 0.8 ft support cable and attach to one end of 2 ft, 5
 - C) Ensure all carabiners are through the hole and both gates are closed.
- Repeat with second support cable at other end of driver.



4 Install the light module

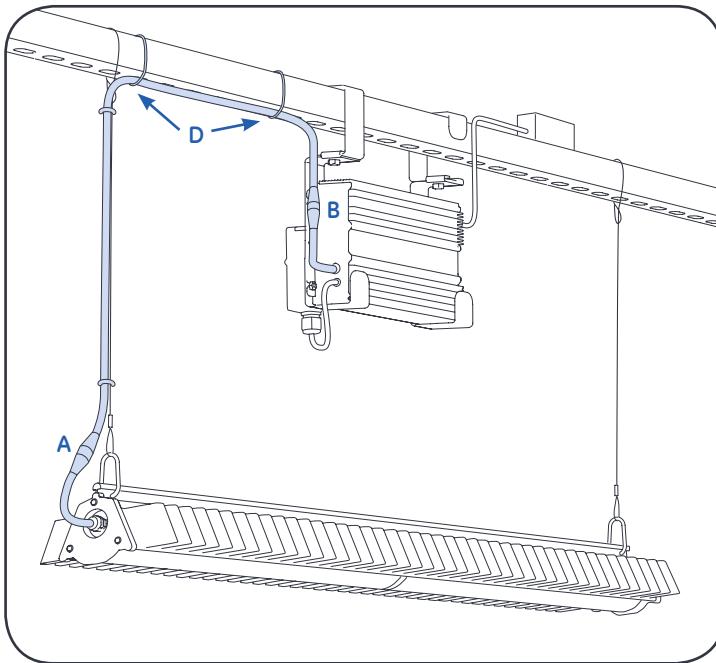
- A) Attach first carabiner to the 1/4" round hole on one side of the light module. Repeat on other side of light module.
- B) Ensure both carabiners are through the hole and both gates are closed.

Electrical Connections for all Install Options

⚠ WARNING / AVERTISSEMENT

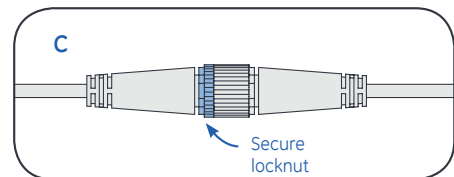
RISK OF ELECTRICAL SHOCK: Turn power OFF before inspection, installation or removal.

RISQUE DE CHOC ELECTRIQUE: Coupez l'alimentation avant l'inspection, l'installation ou la désinstallation.



5 Connect light module to driver output

- A) Mate male connector from module with female connector of the extension DC cable.
- B) Mate extension DC male connector with female connector from driver DC output.
- C) Secure blue lock nut by turning counterclockwise until tight ensuring water tight seal and good connection.
- D) Attach extension DC cable to support cable using tie wraps (included in packaging).



6 Driver input connection

Refer to step 6 & the connection schematic in the base kit install guide.

current
powered by GE

All trademarks are the property of their respective owners. Information provided is subject to change without notice. All values are design or typical values when measured under laboratory conditions. Current, powered by GE is a business of the General Electric Company.
© 2019 GE.

